



California Faucets®

Descanso™

3 HANDLE TUB AND SHOWER TRIM

Features

- Solid brass construction
- Less head, arm, flange, and spout
- Requires rough-in (3-VR) sold separately
- Over 30 finishes including 15 PVD finishes

TO-3003XL
 TO-3003XKL
 TO-3003XFL

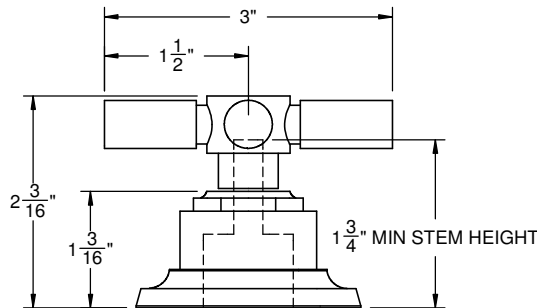
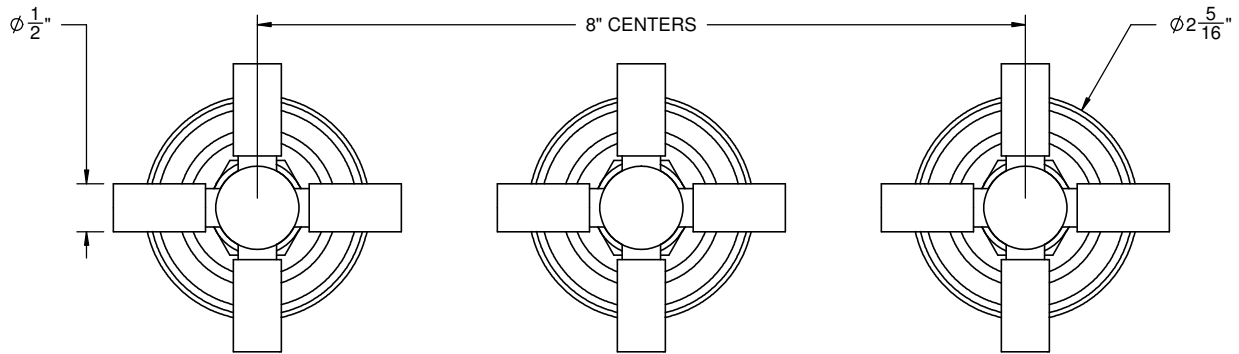


(TO-3003XL SHOWN)

Codes/Standards

Product meets or exceeds the following:

- ASME A112.18.1/CSA B125.1



THRU HOLE SPECIFICATIONS			
	MIN	RECOMMENDED	MAX
VALVE:	Ø1-1/8"	Ø1-3/8"	Ø1-5/8"
DIVERTER:	Ø1-1/2"	Ø1-1/2"	Ø1-5/8"

SPECIFICATIONS SUBJECT TO CHANGE WITHOUT NOTICE

ALL DIMENSIONS SHOWN TO NEAREST 1/16"