



California Faucets®

# TOILET TANK LEVER

TRADITIONAL UNIVERSAL FIT TANK LEVER

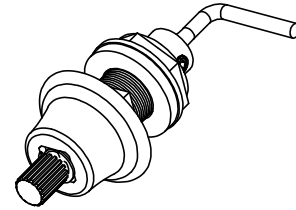
## Features

- Over 30 finishes including 14 PVD finishes
- All brass handle and flange construction to match California Faucets products
- Universal fit compatible with most front, side and angled style toilet tanks with chain style flush (AKA: "flapper") valves (not compatible with pressure assist nor fill and dump tanks)
- Spring loaded handle for easy return
- Not necessary to drain tank water for installation
- Includes all tank lever hardware
- Patent pending design

## Codes/Standards Applicable

- Meets or exceeds the following at date of manufacture:
- ADA (all lever handles)

9409-XX



XX = SERIES HANDLE

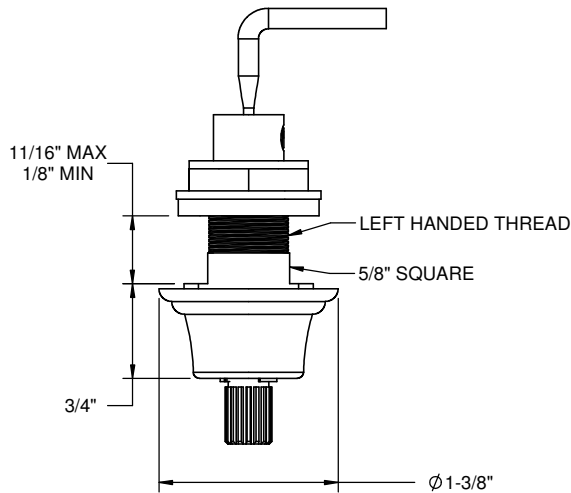
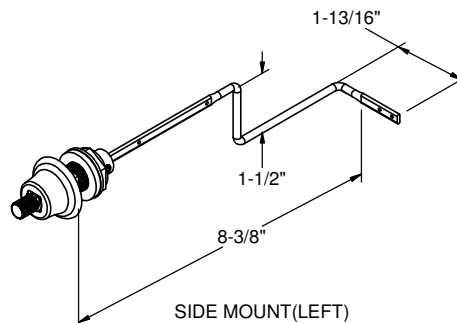
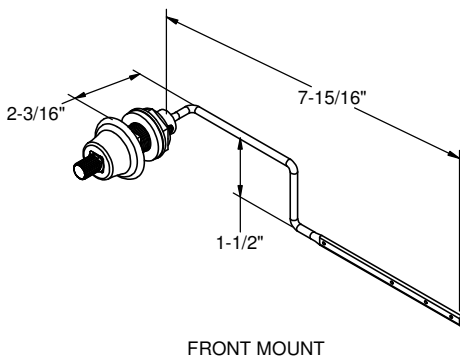
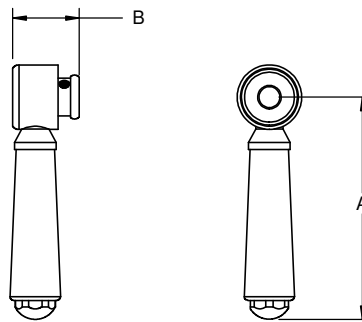
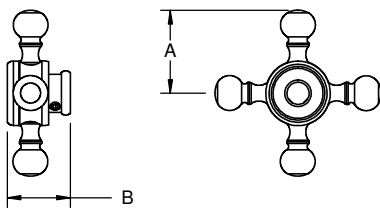


TABLE (ALL DIMENSIONS SHOWN IN INCHES)

SERIES	A	B
33	3-1/2	1-3/16
34	1-1/8	1-1/2
35	3-7/8	1-3/16
36	3-7/8	1-3/16
38	2-7/8	1-13/16
40	3-1/4	1-1/2
42	2-15/16	1-1/2
46	3-7/16	1-1/2
47	1-3/8	1-3/8
48X	1-1/2	1-1/16
48	3-1/8	1-1/16
50	2-13/16	1-1/4
51	1-1/16	1-13/16
55	3-5/16	1-1/2
59	3	1-13/16
60	1-5/16	1-1/8
63	1-9/16	1-7/16
64	3-5/16	1-1/2
67	1-3/8	1-1/2
68	3-3/8	1-3/16
69	3-1/2	1-5/16



ALL DIMENSIONS SHOWN TO NEAREST 1/16"