

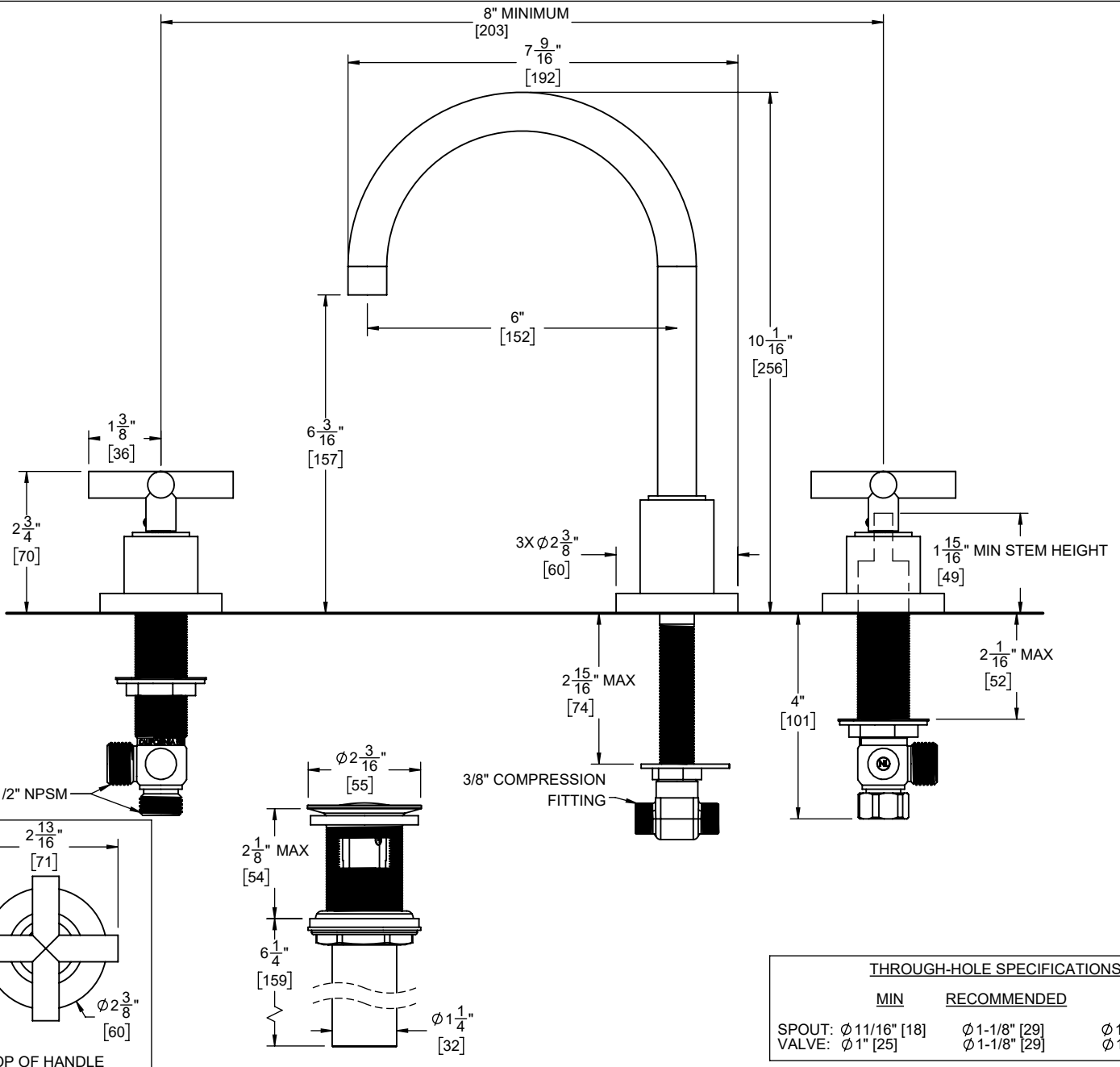
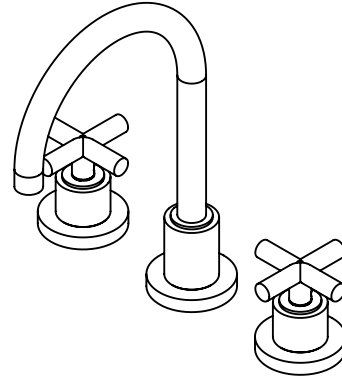
### Features

- Available in 28 finishes including 13 PVD Finishes
- All brass construction
- 6" spout center to center
- 1/4" turn ceramic disc cartridge(s)
- Flexible braided hoses for ease of installation
- $\phi$  1-1/4" all brass touch style pop up drain assembly
- 1.2gpm (4.5 L/min) max flow rate

### Codes/Standards

Product meets or exceeds the following:

- ASME A112.18.1/CSA B125.1
- NSF/ANSI 61 & NSF/ANSI 372
- CEC / DOE
- EPA WaterSense High Efficiency Lavatory
- Commonwealth of MA



SPECIFICATIONS SUBJECT TO CHANGE WITHOUT NOTICE

DIMENSIONS SHOWN TO NEAREST 1/16"  
[DIMENSIONS SHOWN TO NEAREST 1MM]