



Tel: 714-891-7797
 Fax: 714-891-2478
 Toll Free: 800-822-8855
 www.calfaucets.com

California Faucets®

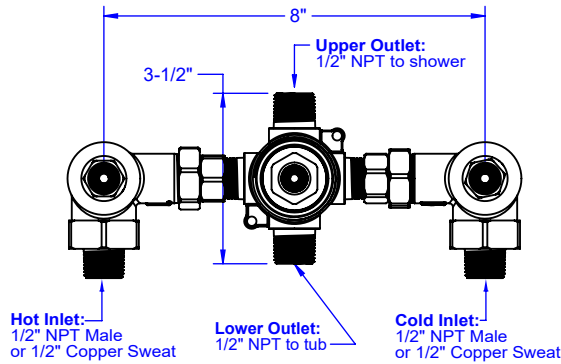
3-WAY VALVE

3-VR

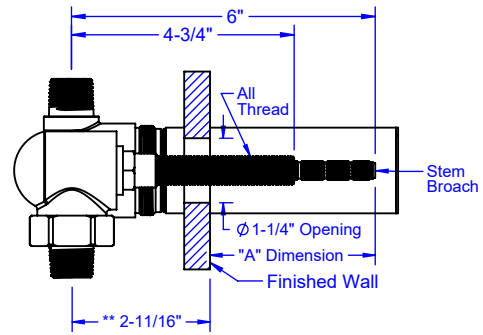
INSTALLATION INSTRUCTIONS

California Faucets reserves the right to make modification and specification changes at any time. Please visit www.calfaucets.com for most current technical data.

Front View



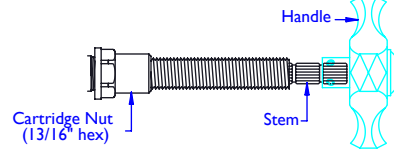
Side View



"A" DIMENSION

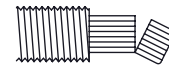
"A" Dimension is from finished wall to tip of stem broach

Series #	"A"
30	1-3/4"
33/34/35/36	2-3/8"
38/42	2-5/8"
44	2-7/16"
45	2-1/8"
46/47	2-1/2"
48	2-5/16"
51	2-1/2"
52	1-3/8"
53	1-3/8"
55	2-5/8"
57	2"
59	2-5/8"
60	2-1/4"
62	1-7/16"
63	3"
64	2-5/8"
65/66	2-1/8"
67	2-1/4"
68/69	2-3/8"
70	1-3/8"
**71	1"
**72	1"
**73	1"
**74	3/4"
**77	1-5/16"
**77R	1"
E3/E4/E5	15/16"
85	1-1/2"

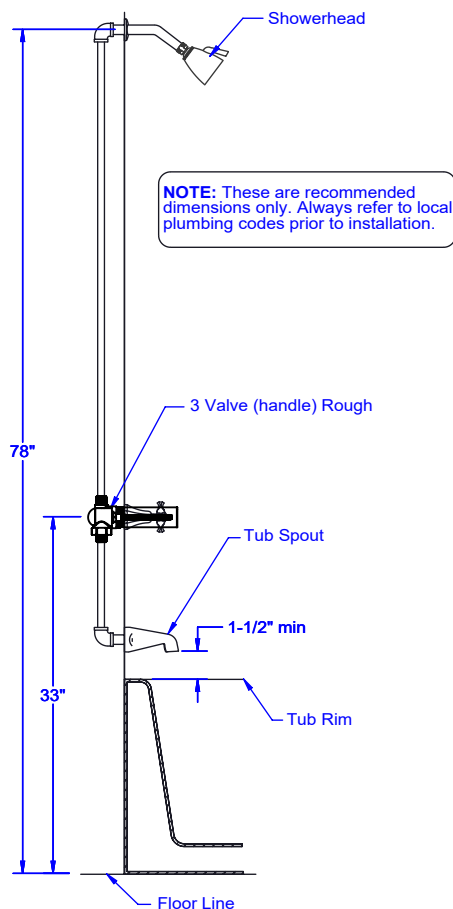


**NOTE: For Series #71, 72, 73 & 74 valve rough must be set back a minimum of 2-11/16" from finished wall surface to center of inlets.

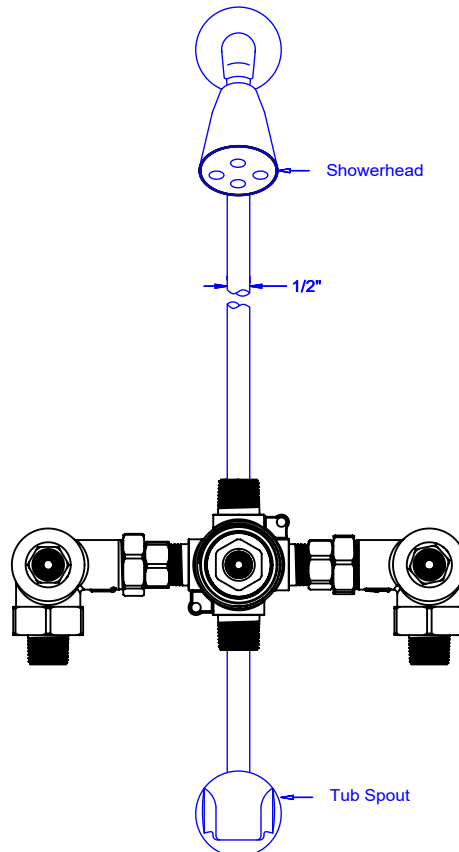
NOTE: When fitting handle it may be necessary to shorten broach stem and/or all thread to eliminate gap between handle & escutcheon.



NOTE: In some cases, it may be necessary to re-align cartridge Stem to achieve desired handle alignment. To align stem, slightly loosen in a CCW direction the Cartridge Nut. Place Handle on Stem and **TIGHTEN** in a CW direction until desired alignment of handle is achieved. Retighten Cartridge Nut to factory torque setting of 14 ft-lbs. (Cartridge Nut size is 13/16" hex)
WARNING: Cartridge Nut **MUST** be properly torqued to prevent possible failure and/or water damage.



NOTE: These are recommended dimensions only. Always refer to local plumbing codes prior to installation.



IMPORTANT CLEANING NOTICE Please refer to *Finish Care Instructions* for complete cleaning information. Wipe frequently with a soft, damp cloth. **Never use acids, harsh abrasives or detergents.**