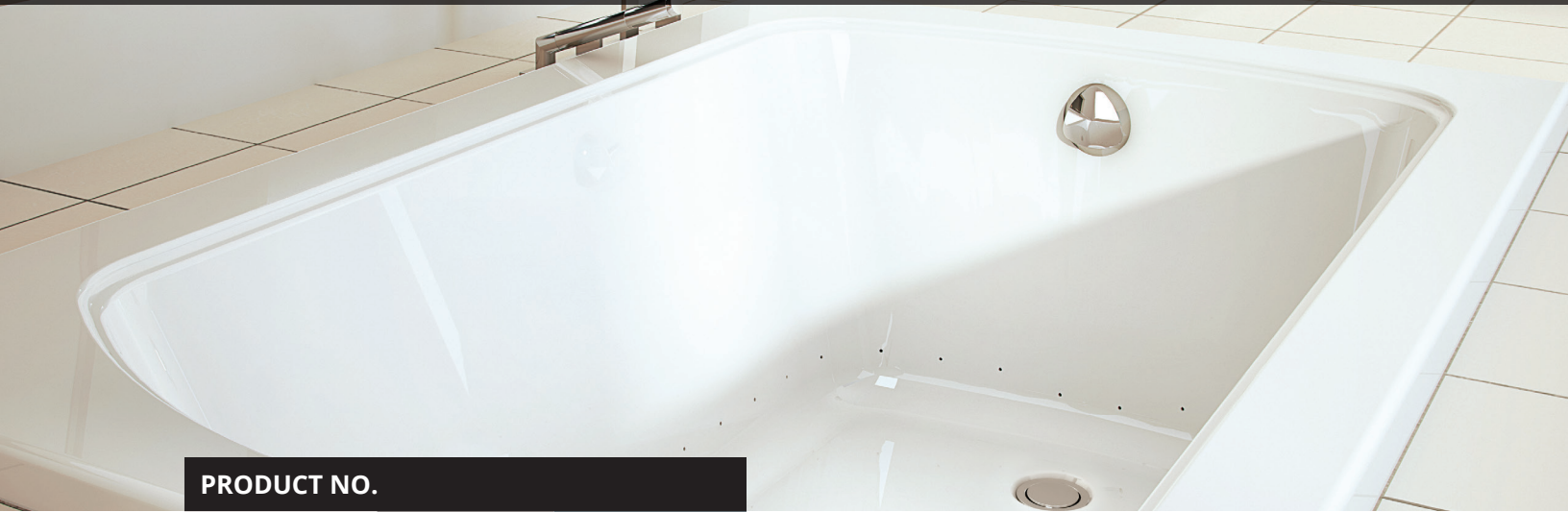


MERIDIAN 6032

60" x 32" x 21"

Named after the meridians of our body—the paths along which our energy flows—the collection also brings to mind the meridian (or mid-point) of life with an invitation to relax and listen to your body and mind.



PRODUCT NO.

MODEL	TMU	TUB
Alcove - Right	BMEDRIORT-XX	BMEDRIORN-XX
Alcove - Left	BMEDRIOLT-XX	BMEDRIOLN-XX
Drop-in	BMEDRIO0T-XX	BMEDRIO0N-XX

THERMOMASSEUR (TMU) Hydro-thermo massage • Air jet system	\$
Jets	37
1 heated backrest	Included
MiaPlus® Control	Included
Geysair®	Included
AromaCloud** BAROMAC	\$
Illuzio Chromatherapy BCHRO6	\$

TUB Soaker	\$
AromaCloud** BAROMAC	\$
Illuzio Chromatherapy BCHRO6	\$
WarmTouchShell® BWTS	\$
DOT control	Included with therapy

FEATURES

Installation type	Drop-in, Alcove (3 walls) & Undermount**		
No. of bathers	2		
US gallons	50	Integrated tile flange (specify right or left)	Included
Imp. gallons	41		

STANDARD COLOR		
		Included
White 01	Biscuit 02	

OPTIONS (UPCHARGE APPLICABLE)

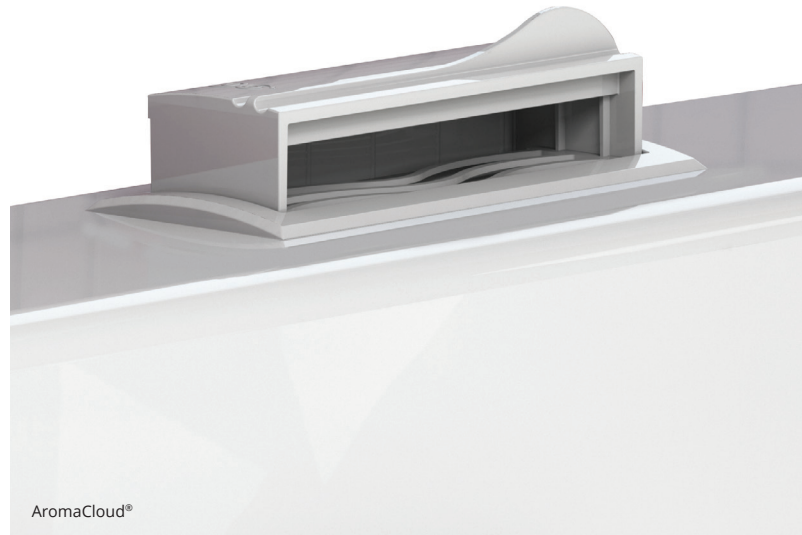
COLOR		
	Gray 05	\$
WASTE & OVERFLOW 16" x 35" BOVER16-XX		
Chrome 07		\$
White 01, Biscuit 02		\$
Brushed Nickel 09, Polished Nickel 10, Oil-rubbed Bronze 11		\$
CONTROL (TMU only)		
MiaMulti® BMIAM2-XX		\$
SKIRT	MULTIFIT BSMUL-XX	SJ-1 BSJ1-XX
White 01, Biscuit 02	\$	\$
Gray 05	\$	\$
IF REQUIRED BY CONSTRUCTION CODE OR INSTALLED WITH ITD		
16" x 35" Cable driven Brass waste & overflow kit BOVERBR-XX		\$

* The AromaCloud® is built into the deck.
 ** The AromaCloud® is not available with Undermount installation.

TOTAL PRICE	\$
--------------------	----



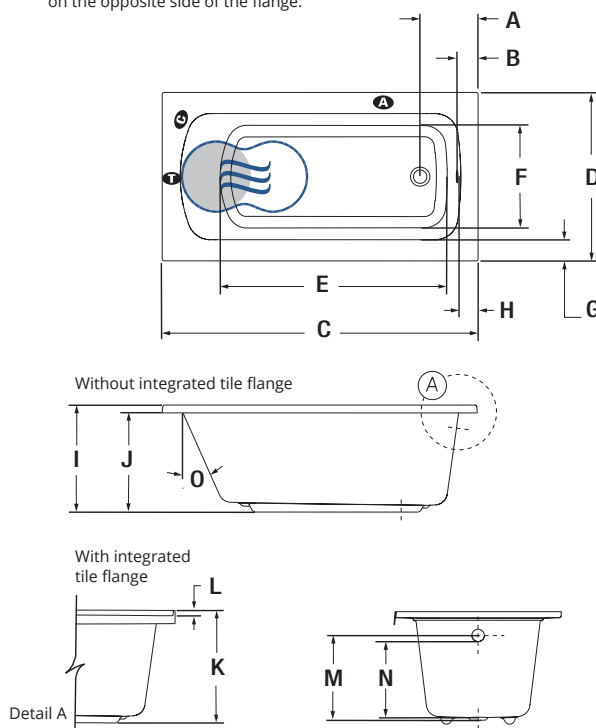
MERIDIAN 6032



AromaCloud®

INSTALLATION

- A** When tile flange is added, the AromaCloud® will automatically be installed on the opposite side of the flange.



LETTER	DESCRIPTION	MEASURE
A	Outside edge to center waste	11"
B	Outside edge to overflow	4"
C	Total length	60"
D	Total width	32"
E	Bathing well length	43 5/8"
F	Bathing well width	19 5/8"
G	Deck width	4 1/4"
H	Deck width at waste end	3 1/2"
I	Height from bottom of tub to top deck	20 1/2"
J	Height from bottom of tub to bottom of lip	19"
K	Height from bottom of tub to top of tile flange	21 1/2"
L	Tile flange height	1"
M	Height from waste to center of overflow	16 1/8"
N	Maximum water level	14 3/8"
O	Slope of backrest	24°

- A** AromaCloud® position
- C** Control position when factory-installed (Mia® or DOT)
- T** Turbine position (TMU)
- Indicates heated backrest (TMU)
- ☄ Indicates WarmTouchShell® position (TUB)

TECHNICAL SPECIFICATIONS

Hot water supply required	Should be 70% of water capacity of TUB or greater.	Cutting template	# 90000053
Turbine	Access to the pump must be at least 18" x 22". Standard connection is 20 A, 120 V, 60 hz , dedicated line with a Ground-Fault Circuit Interrupter (GFCI). For any additional option, a second line is needed 15 A, 120 V, 60 hz , dedicated line with a GFCI. Air vent necessary: 2" x 4" minimum.	Approx. shipping weight	100 lbs
Other	There is a height difference for the integrated tile flange (see Detail A).	Turbine power	550 W
Our products must be installed by certified professionals only and according to our Owner's Manual as well as federal, provincial/state and local building codes and regulations (www.bainultra.com/documentation/documentation).		Air heater	600 W
		WARRANTY	
		Controls-LED-Geysair*	5 years
		Bath & turbine*	20 years

* Some restrictions apply | www.bainultra.com/warranty



The specifications shown indicate the outer edge dimension and the inside bathing capacity dimension measured at air jets' height. The manufacturer accepts a 1/4" [0.64 cm] variance. There are variations on each product and specifications are subject to change as we improve upon our product as required. The dimensions needed for site preparation and structure building will differ. BainUltra® assumes no responsibility for preparatory work done prior to the product being on site.