

**36" RANIER DOUBLE
BOWL FARMER SINK**

Cat. No
FSMD5576



Features:

- ▶ Handcrafted from natural marble
- ▶ Each sink has naturally unique markings on the marble
- ▶ Unpolished chiseled front
- ▶ Accommodates 3-1/2" drain
- ▶ Flange extension required

Colors:

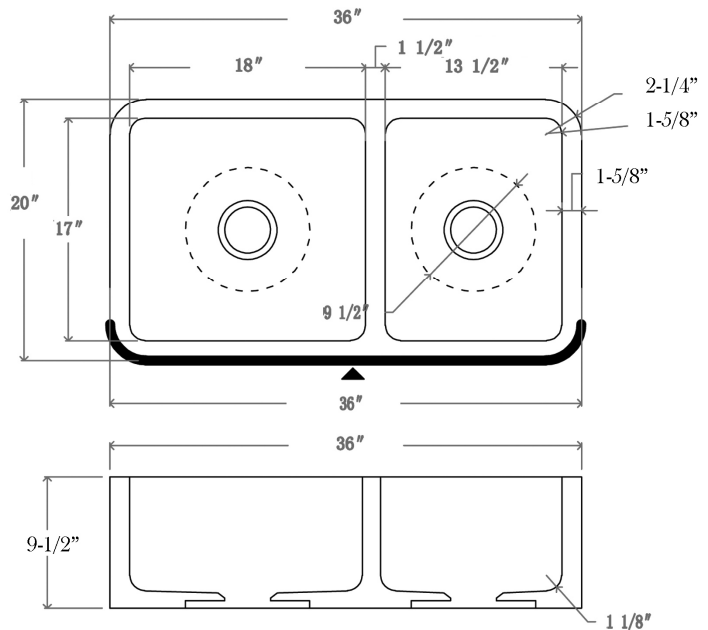
MPGA Polished Galala Marble

W: 36"
D: 20"
H: 9-1/2"

***Please do NOT cut hole without
template or actual product.**

Interior Bowl Dimensions:

Large Basin: 18" W x 17" D
Small Basin: 13-1/2" W X 17" D
Basin Depth: 8"



Dimensions of fixture are nominal and may vary within the range of tolerances established by ANSI Standard A112.19.2. Dimensions and specifications subject to change without notice.