

LEEDS 25" WALL HUNG BASIN

Cat. No
4-1126



Faucet not included



Mounting hardware

W: 25-7/8"
D: 18-1/8"
H: 6"

Interior Dimensions:

Basin Interior:	23" x 12-1/2"
Basin Depth:	4-3/4"
Back of basin to center of faucet:	2-1/2"
Back of basin to center of drain:	9-1/4"
Mount holes cc:	6-1/2"
Faucet hole diameter:	1-3/8"

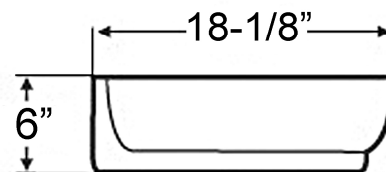
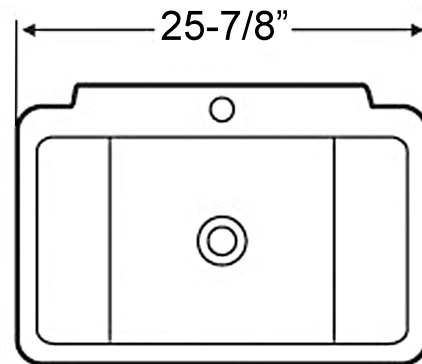
Features:

- ▶ Rectangular wall hung basin
- ▶ Made of Vitreous China
- ▶ Pre-drilled with 1-3/8" single faucet hole
- ▶ No overflow
- ▶ Mounting hardware included
- ▶ Drain not provided

Colors

WH White

Meets or exceeds the following specifications: ASME A112.19.2 2013 and CSA B45.1-13 for ceramic plumbing fixtures.



Dimensions of fixture are nominal and may vary within the range of tolerances established by ASME Standard A112.19.2.2013. Dimensions and specifications subject to change without notice.