

CUSTOMER: _____
 JOB NAME: _____
 PO #: _____
 QUOTE #: _____ QUANTITY: _____
 SHIP TO: _____

_____/_____/_____
 PLUMBING CONTRACTOR APPROVAL DATE
 ____/____/_____
 GENERAL CONTRACTOR APPROVAL DATE
 ____/____/_____
 ENGINEER APPROVAL DATE
 ____/____/_____
 ARCHITECT APPROVAL DATE

STANDARD FEATURES

- Code compliant when fully equipped and installed according to guidelines
- Lustrous, durable, easy-to-clean Lucite® cast acrylic
- Integral dome
- Back fixture wall
- Center/center drain location
- Slip resistant, textured bottom [ASTM F-462]

CONFIGURATION

- Fully equipped without seat — ADA/ANSI
 Fixture Wall LH RH Back Wall
 Includes two 24" x 1½" diameter grab bars located on the side walls; one 48" x 1½" diameter grab bar located on the back wall; pressure balancing mixing valve; and hand-held shower assembly per ADA guidelines.

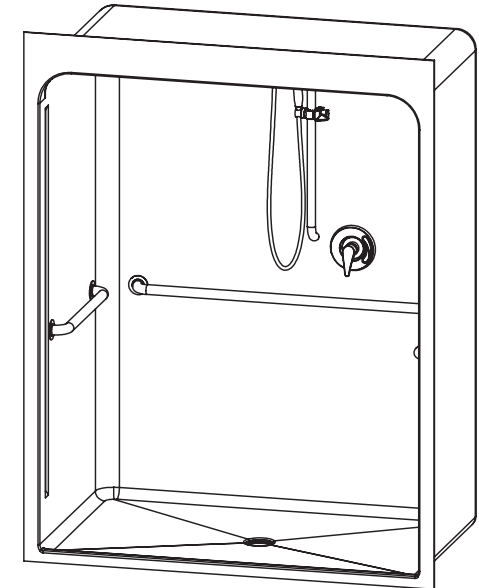
CUSTOM OPTIONS (not avail. if ADA config. is selected)

- Fixture Wall LH RH Back Wall
 Grab bars:
 Two 24" (side walls) and one 48" (back wall)
 Stainless steel (1½" dia.) LH RH
 Powder-coated white (1¼" dia.) LH RH
 Hand-held shower assembly with 30" slide bar and 60" hose
 Pressure balancing mixing valve

OPTIONAL ACCESSORIES (available for all models)

- Soap dish
- Curtain rod (Not ADA compliant)
- Shower curtain
- Vinyl flexible dam
- Removable threshold
- Brass drain
- Colors:
 Standard White
 Upgraded Biscuit
 Other (contact customer service for custom color options)
- Additional accessories:

For pricing of units and additional options, reference the Aquatic Price Book.



IMPORTANT: ADA compliant showers with NO interior threshold will have water escape onto the bathroom floor. Aquatic highly recommends you take the following precautions:

1. Install only the minimum number of ADA units without an interior threshold required for each job. If possible install Aquatic's accessible models that have a ½" interior threshold to reduce the amount of water that escapes from the shower.
2. When installing units with NO interior threshold, install a FLOOR DRAIN to control the water that escapes onto the bathroom floor.
3. Depending on your application, you may choose to install Aquatic's vinyl flexible dam or removable threshold, which helps better retain water within the shower. However, these items may not necessarily meet ADA or other code requirements. Always confirm code compliance with your local building authority.

Int. Dim.	60 W x 36 D x 79 H
Ext. Dim.	65 W x 36 ¼ D x 83 ¾ H
Skirt Ht.	1 ¾ skirt, ½ interior threshold
Packaged Wt.	220 lbs. gross
Material	Premium cast acrylic
Warranty	Acrylic Finished Products — Five Years

inches

To complete your order, this document must be signed and faxed to the Aquatic Centralized Customer Service Center.

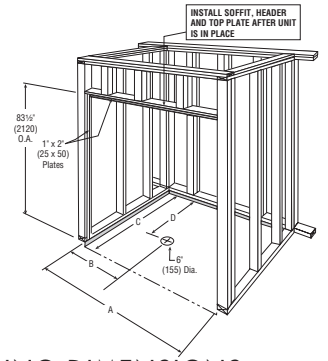
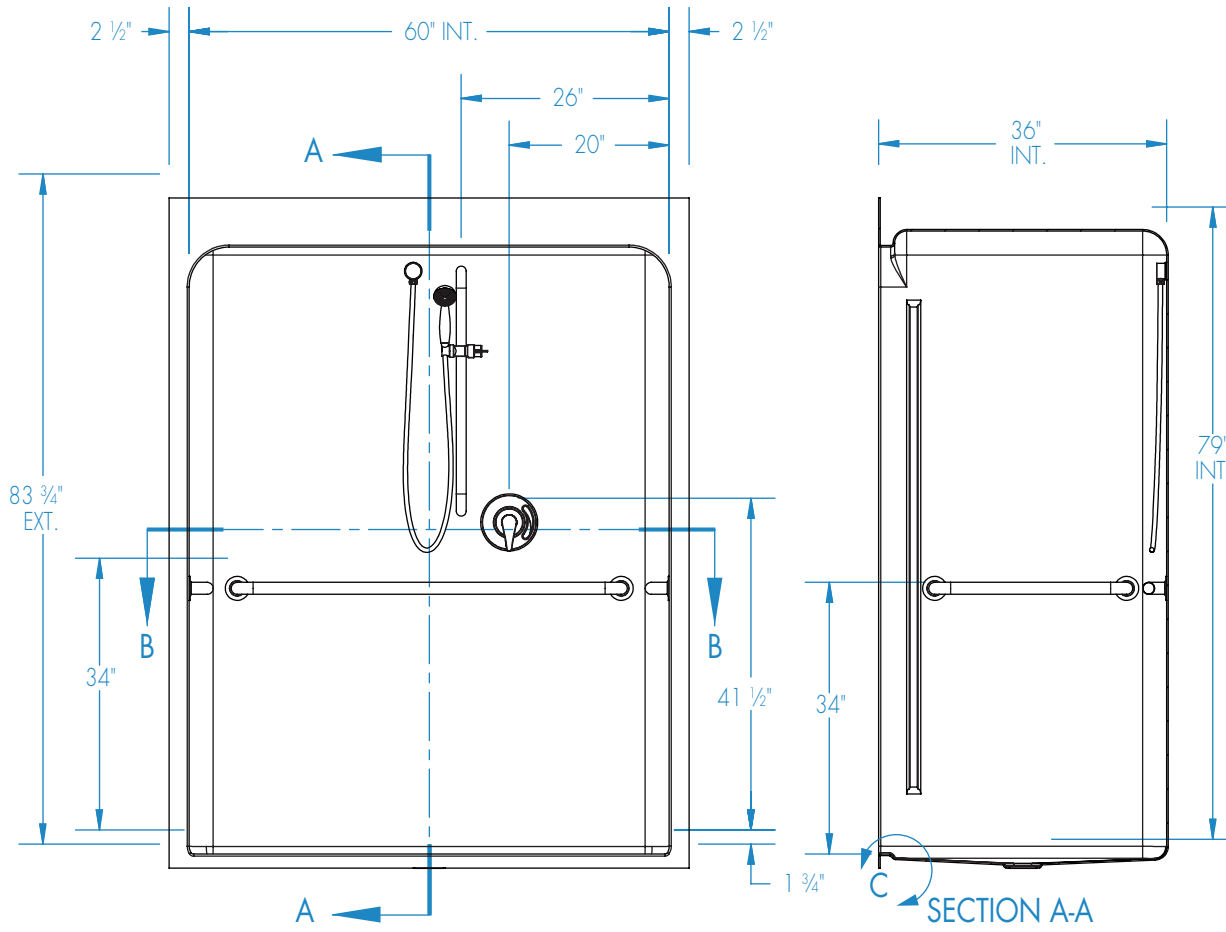
Fax (866) 544-5353 • Phone (800) 945-2726



Submittal Sheet

Aquatic products may be specified as Lasco Bathware.

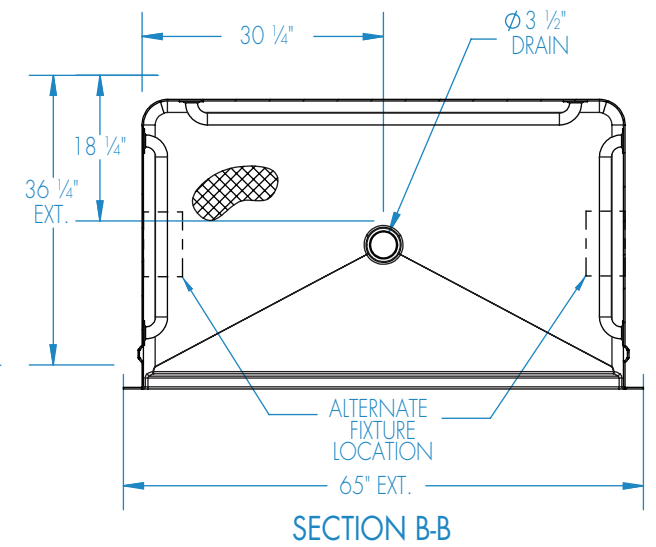
6036CFS ADA Compliant without Seat
Please indicate changes needed.



FRAMING DIMENSIONS Inches

A	B	C	D
65 1/8	32 1/2	37	19

- Installation Options:**
1. Install in a recessed pit for rough-in floor installation.
 2. Build sub-floor to level finished floor with top of shower threshold.



Recess or build-up required **DETAIL C**

Shell tolerance: +0, - 3/16" All other tolerances: ± 1"



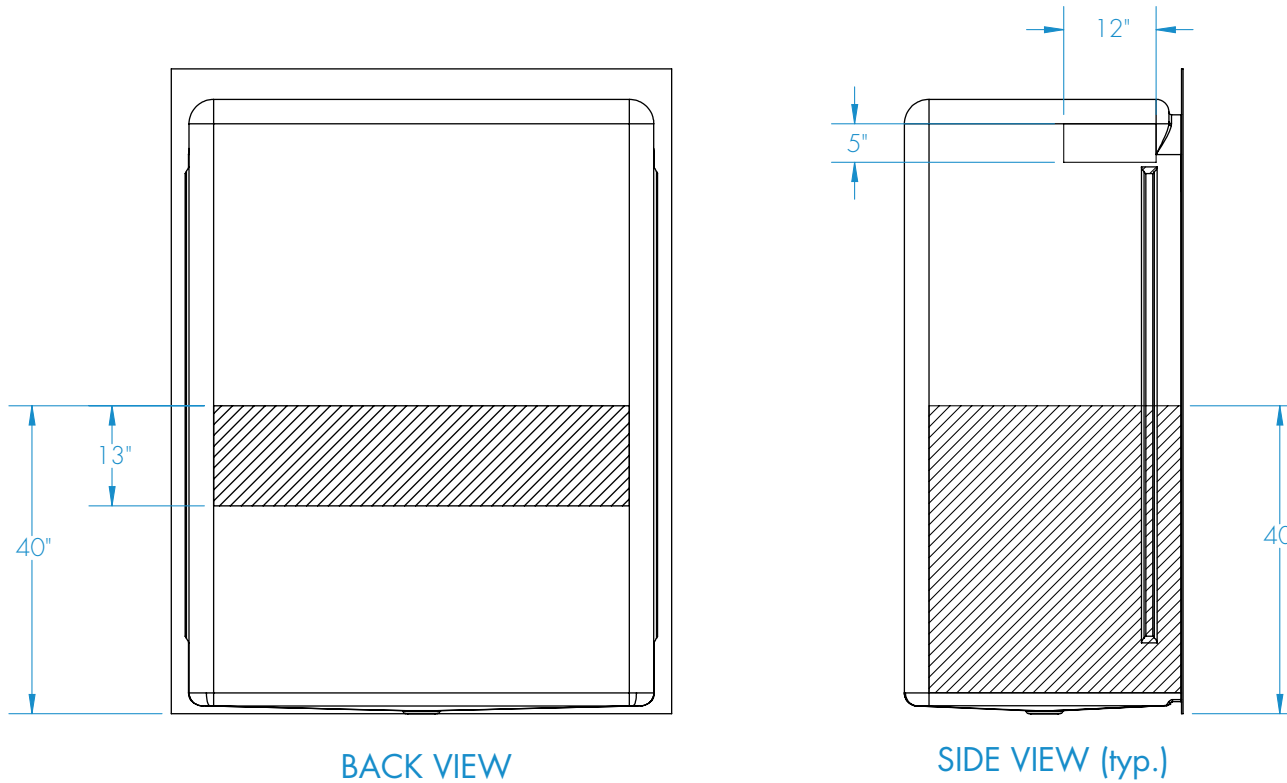
Submittal Sheet

Aquatic products may be specified as Lasco Bathware.

6036CFS ADA Compliant without Seat

Please indicate changes needed.

Reinforcement Locations (Standard)



 = GRAB BAR REINFORCEMENT

Shell tolerance: +0, - 3/8" All other tolerances: ±1"

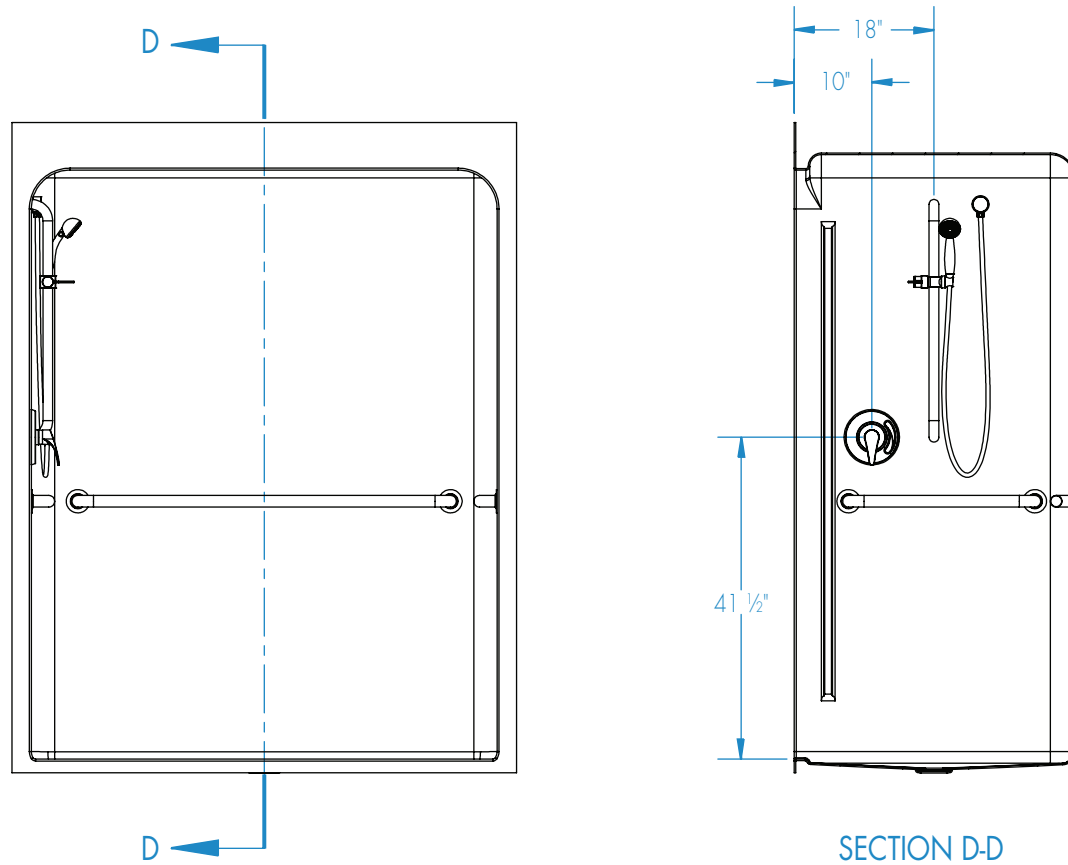


Submittal Sheet

Aquatic products may be specified as Lasco Bathware.

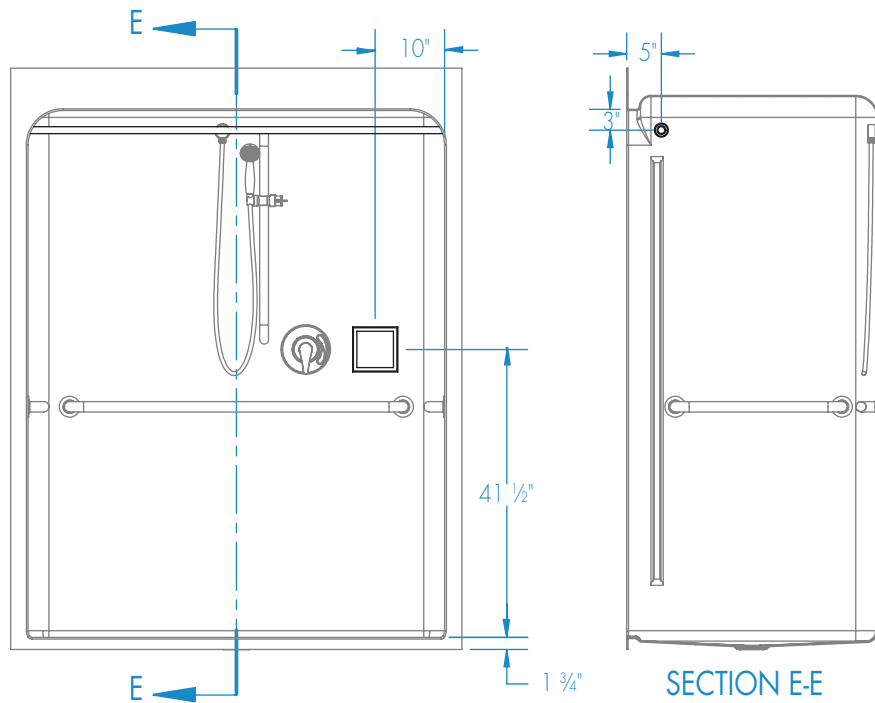
6036CFS ADA Compliant without Seat
Please indicate changes needed.

Optional Side Wall Fixture Placement



Shell tolerance: +0, - 3/8" All other tolerances: ±1"

Curtain Rod and Soap Dish Locations (Standard Wall Valve Configuration)



Curtain Rod and Soap Dish Locations (Left Valve Configuration)

