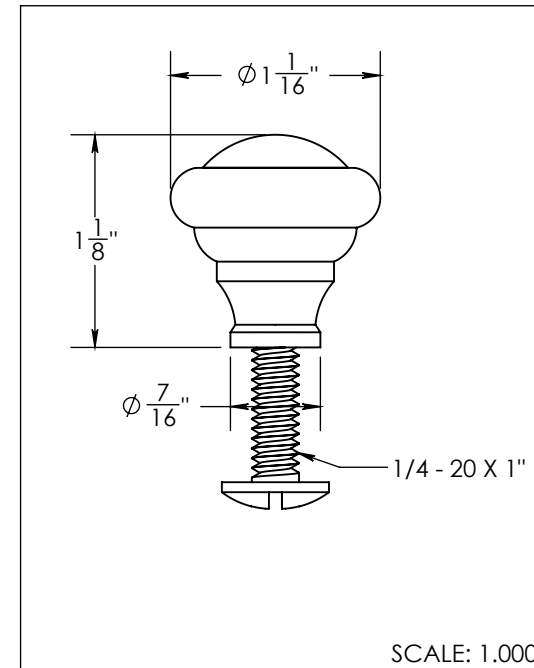
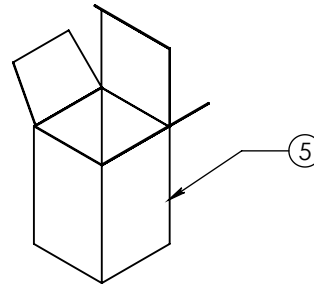
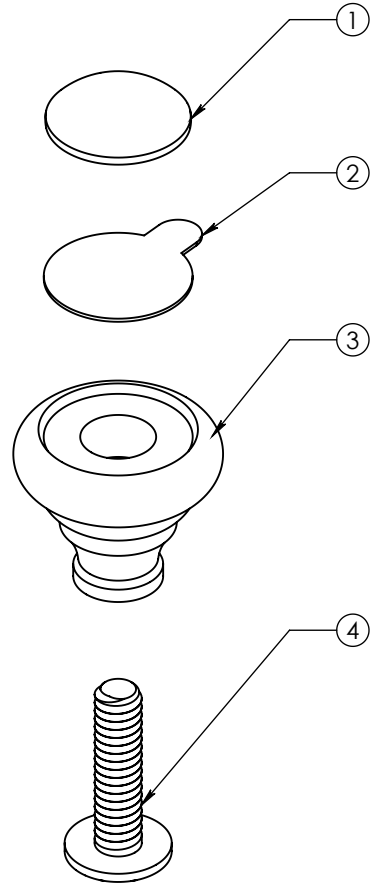
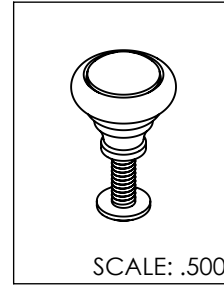


NOTES:
1. XX DENOTES FINISH

BILL OF MATERIALS

ITEM	PART NO.	DESCRIPTION	QTY.
1	471071-40	BUTTON, INDEX, 47, BLANK, PORCELAIN	1
2	99005	ADHESIVE DOT W/TAB	1
3	693397-XX	KNOB, LIFT, 69 SERIES	1
4	881810-99	SCREW, 1/4 - 20 UNC - 2A X 1", ZINC PLATED	1
5	33010252	CARTON, KRAFT, 2" X 2" X 3"	1



PROPRIETARY AND CONFIDENTIAL: THE INFORMATION CONTAINED IN THIS DRAWING IS THE SOLE PROPERTY OF CALIFORNIA FAUCETS. ANY REPRODUCTION IN PART OR AS A WHOLE WITHOUT THE WRITTEN PERMISSION OF CALIFORNIA FAUCETS IS STRICTLY PROHIBITED. ALL RIGHTS RESERVED.



REV	REV DESC	DATE	APPR'D
--	RELEASE	7/6/07	JW

CABINET KNOB
69 SERIES (PORC. INDEX)

NEXT ASM: --	USED ON: --
DRAWN: C. WULF	07/06/07
APPR'D: J. WOJTASZEK	07/06/07

DWG NO.	REV
9488-69-PIDX-XX	--
SCALE: 1.000	SHEET 1 OF 1